

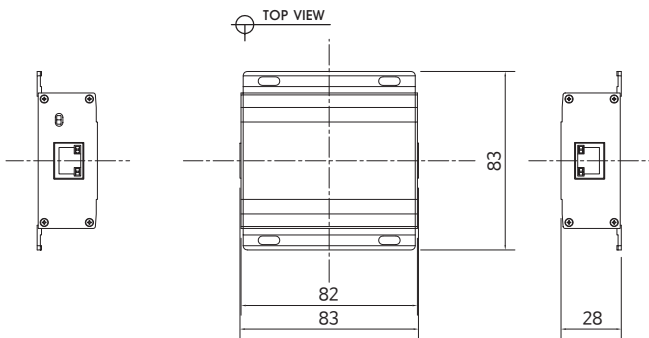
EPR-101 / 111

Ethernet & PoE Repeater

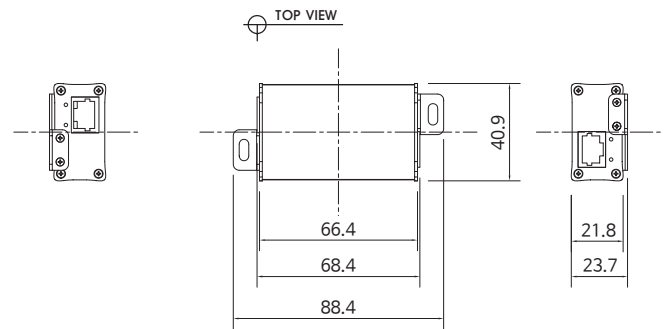
High-Speed, Long distance Ethernet and PoE Extender over Coax



Dimension



Dimension



Specification

Model		EPR-101	EPR-111
Interface	LAN / PoE In	1 * RJ45 - 10/100 Base-T with Auto-detect MDIX	
	LAN / PoE Out	1 * RJ45 - 10/100 Base-T with Auto-detect MDIX	
Transmission Rate		100Mbps Full Duplex	
Transmission Distance		200m	130m
LED Indication	Ethernet	1 - Data(Green)	
	Power	1-PoE(Yellow)	
PoE	Standards	IEEE802.3af(PoE)	
	Max. Power	Max. 15W	
Mechanical	Dimension	83(L)x83(W)x28(H)mm	68.4(L)x40.9(W)x21.8(H)mm
	Weight	118g	72.5g
Environment	Operating Temp	0 ~ 60°C	
	Storage Temp	-20 ~ 80°C	
	Relative Humidity	10% ~ 90%	

Overview

EPR Series are Ethernet & PoE Repeaters that make possible to overcome max. 100m distance limitation of the network configuration.

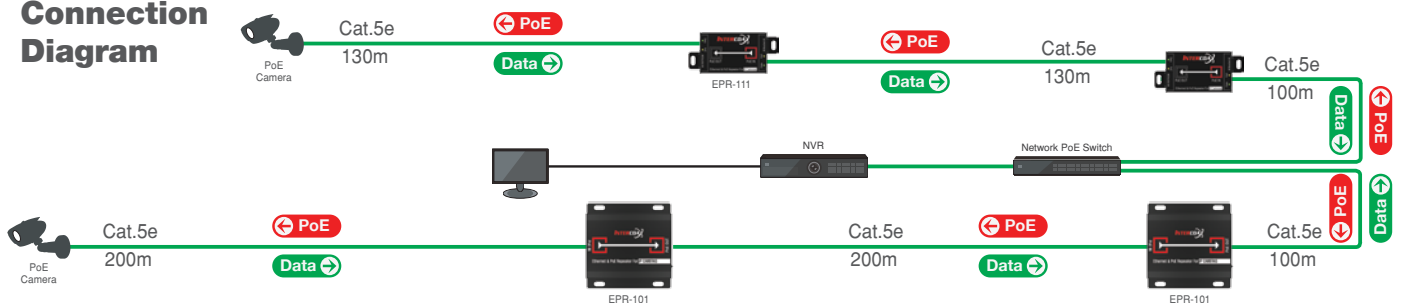
For more distance extension, the devices can be added by daisy-chaining (up to 600m)

It is cost effective and easy installation solution for all kind of PoE (IEEE802.3af / 15W) compliant devices such as IP cameras, Network Switch, VoIP Phone, etc.

Features

- Ethernet & PoE Repeater
- Up to 200m Ethernet & PoE extension (EPR-111:130m)
- Additional extension by adding devices
- 15W PoE output (IEEE802.3af)
- PoE On/Off switch supported (EPR-101 only)
- No additional power required (PoE powered)
- Slim design (EPR-111)

Connection Diagram



* Transmission distance may vary depending on the type and quality of cable, camera and environmental condition